

Product Specification :

Model No.	: MDT - 02/04/ 07
Make	: Chemtronics® (Made in India)
Feed Gas	: Ambient dry, dust, & moisture free air
ECO Concentration	: 10,000 - 25,000 mg/m ³
BOI Output	: 10 - 20 MPCC at source
MOC of ECO Reactor	: SS 316 / Ceramic / PTFE
Reactor Cooling	: Forced Air Cooled - Internally / Externally
Power Supply	: Switch power mode supply (SMPS) (Optional)
Power Amplifier	: MOSFET Technology
Drive Board Protection	: Over heat / Over Current / Over Voltage
EHT	: Ferrite based forced air cooled
Dielectric	: Precision Ceramic
Enclosure - MOC	: Carbon / Steel / Stainless Steel
Certificate	: CE (Selected Models)
Indicator	: Power / ECOBOI ON / Booster
Service Indicator	: Non resettable hour meter
Operating Temperature	: 15° - 35° C
ECO Reactor Life	: 10,000 Hrs., under normal operating conditions
Mounting / Installation	: Trolley
Line Voltage	: 230 V AC; 50 Hz; I Phase



MDT Series

Standard Accessories :

- ECOBOI Tubing : MOC - Polypropene - 05 meter
- Main Cord : Three core - 03 meter

Technical Specification :

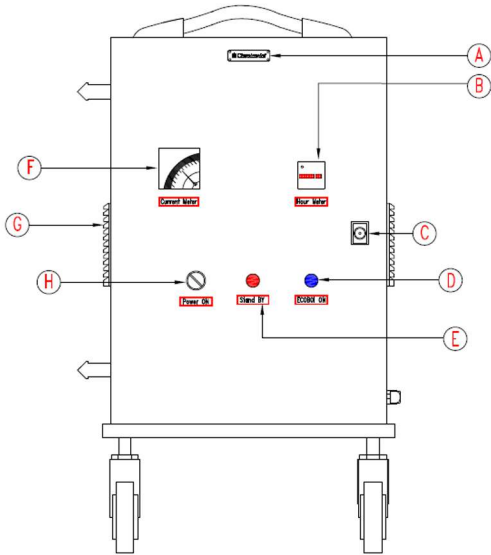
Series	Capacity (mg/m ³)	No. of Modules	Dimension (W X L X H) [mm]	Net Weight [Kg.]	Power [W]
MDT - 02	10,000 - 16,000	1	800 X 450 X 800	48	405.0
MDT - 04	10,000 - 16,000	2	800 X 450 X 800	50	475.0
MDT - 07	20,000 - 25,000	1	800 X 450 X 800	55	580.0



Application :

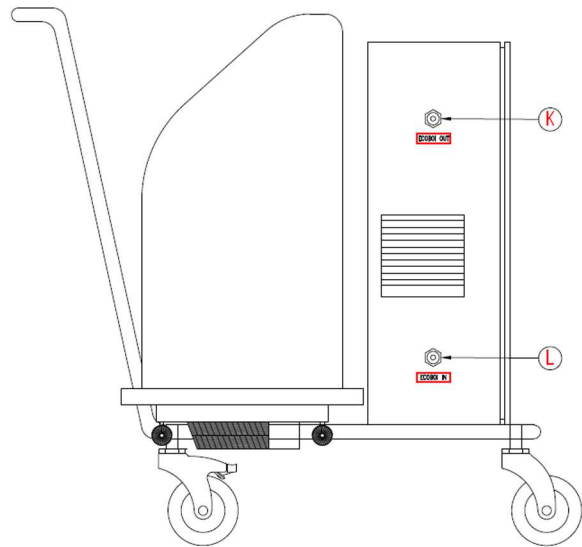
- Air disinfection from virus & bacteria
- VOC & Formaldehyde reduction
- Air Odor reduction
- Enhance Indoor Air Quality (IAQ)
- Reduce sick building syndrome
- Laboratory experiments on air
- Mosquito & flies repellent
- Small area chemical reaction
- Clean & sterile surface, glass wares, apparatus, etc.
- Clean & sterile surgical equipment
- Cigarette smoke & smell elimination
- Cold Room / Cold storage

Construction :

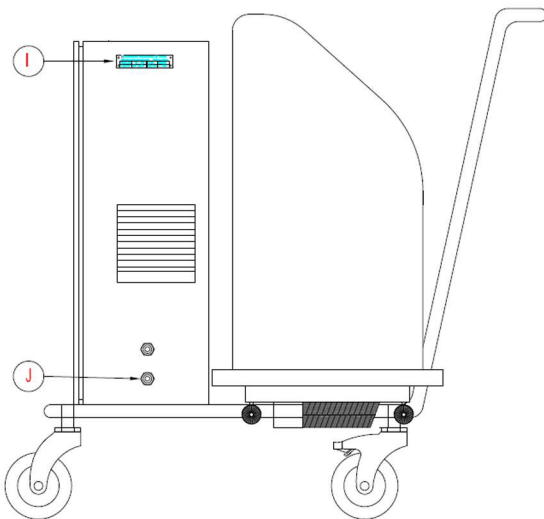


FRONT VIEW

Dimensions :



R.H.S.V



L.H.S.V

A	SS Name Plate
B	Hour Meter
C	Panel Lock Key
D	ECOBOI ON Switch
E	Stand By
F	Current Meter
G	Fan Grill
H	Power ON Switch
I	Specification Lable
J	Input Supply
K	ECOBOI OUT
L	ECOBOI IN